

EPSON

STYLUS PRO 9600

Page No.:1

REF	PART NO	DESCRIPTION	SPEC	QTY
100	1112269	LEFT SIDE COVER ASSY.		1
101	1112257	I/H COVER ASSY.		1
102	1112259	I/H COVER ASSY.		1
103	1112265	PLASTIC STOPPER E5		2
104	1112261	FRONT COVER FULCRUM PIN LEFT		1
105	1112398	FRONT COVER ASSY.		1
106	1112267	FRONT COVER SUPPLEMENT		1
107	1112273	ROLL TRAY LEFT ASSY.		1
108	1112397	H TOP COVER ASSY.		1
109	1112256	CATCH		2
110	1112399	TOP COVER		1
111	1112276	DAMPER DISK (TOP COVER)		1
112	1112275	SHAKE-PROOF WASHER (TOP COVER)		1
113	2072805	PANEL UNIT ASSY		1
114	1053554	BLANKING PANEL		1
115	1112270	LEVER BLANKING CAP		1
116	1059742	PRESSURE LEVER KNOB		1
117	2072807	PANEL TAPE CABLE		1
118	1112272	ROLL TRAY R ASSY.		1
119	1112268	RIGHT SIDE COVER ASSY.		1
120	1104615	LABEL,HAND POSITION		2
121	1092151	LABEL,INK COLOUR		1
122	1104830	LABEL,INK EXCHANGE		1
123	1104610	LABEL,CAUTION,TRANSPORT		1
125	1092150	LABEL,CUTTER CHANGE 3		1
126	1092137	LABEL,CUTTER CHANGE 1		1
127	1062373	LOGO PLATE 13MMX54MM		1
128	1092374	LABEL,PAPER LEVER SET UP		1
129	1108491	LABEL,MODEL NAME		1
131	1155321	LABEL,MAINTENANCE TANK		1
150	1112252	FCC CLIP		10
151	1112189	HANDLE		4
152	1112185	FAN DUCT		3
153	1112184	VACUUM FAN		3
154	1112190	VACUUM FAN 1 CABLE ASSY.2		1
155	1112196	VACUUM FAN 2 CABLE ASSY.2		1
156	1112188	CARRIAGE LOCKER ASSY.		1
157	1112187	P REAR SENSOR ASSY.		1
158	1112254	FLAT CLAMP		8
159	1112253	RECYCLE CLAMP		1
160	1112191	RECYCLE CLAMP		11
161	1090895	SILENT DUCT		3
162	1112197	VACUUM FAN 3 CABLE ASSY.2		1
200	2060266	BOARD ASSY., MAIN	5843B,STD(WIDE) SEE NOTE BELOW	1
201	1005382	GROUNDING PLATE,I/F		1
202	1006374	GUIDE,I/F BOARD		1
203	1011863	GROUNDING PLATE,I/F,UPPER		1
300	2072803	P/S BOARD ASSY.		1
301	2034422	DC CABLE ASSY		1
500	1048898	MOUNTING PLATE,SCALE		1

EPSON

STYLUS PRO 9600

Page No.:2

REF	PART NO	DESCRIPTION	SPEC	QTY
501	1056148	SCALE,PF		1
502	1048913	TAPE,D50		1
503	1059744	ENCODER FLANGE		1
504	1113629	X REDUCTION BELT		1
505	2035504	BOARD ASSY.,ENCODER		1
506	1112192	SLIT GUIDE		1
507	1112231	PAPER FEED ENCODER CABLE ASSY.2		1
508	2072810	PAPER FEED MOTOR,PULLEY ASSY.		1
509	1112211	PAPER FEED MOTOR CABLE ASSY.2		1
510	1063145	EDGE SADDLE		1
511	1112250	PARTITION PLATE		2
550	1112207	CUTTER CAP		1
551	1112206	CUTTER SOLENOID SPRING		1
552	1112205	CUTTER SOLENOID ASSY.		1
553	1112208	CUTTER SPRING		1
554	1112204	P EDGE SENSOR ASSY.		1
555	1112203	EDGE SENSOR BASE ASSY.		1
556	1112201	FG CABLE		2
557	2077015	CR ENC ASSY.		1
558	1112209	CR LOCK KICKER		1
559	1063189	CABLE TIE		1
560	1112195	H ADJUST LEVER B		1
561	1112194	H ADJUST LEVER		1
562	1112200	DAMPER STOPPER		1
563	1112198	DAMPER POSITION BOARD		1
564	F138020	PRINT HEAD	672	1
565	2072795	HEAD TAPE CABLE 1		1
566	2072796	HEAD TAPE CABLE 2		1
567	1053505	SLIDE GEAR		1
568	1091107	CONNECTING SCREW,M7		7
569	1091108	O RING,CONNECTOR,M7		7
570	1091071	DAMPER ASSY.		7
600	2072797	CARRIAGE MOTOR,PULLEY ASSY.		1
601	1112242	CARRIAGE MOTOR CABLE ASSY.2		1
602	1059714	T FENCE SPRING		1
603	1059712	PRESSURE SPRING		32
604	1091131	SCALE,CARRIAGE		1
605	2034411	PAPER THICKNESS SENSOR CABLE ASSY		1
606	2034408	PHOTO SENSOR		3
607	1112219	PAPER THICKNESS #2 SENSOR CABLE ASSY.		1
608	1112245	CARRIAGE FLAT FLEXIBLE CABLE 1 ASSY.		1
609	1063225	MINI CLAMP		2
610	1212554	CARRIAGE DRIVE PULLEY ASSY.		1
611	1059710	TENSION SPRING		1
612	1112210	PRESS LEVER SPRING		1
613	1112216	HEAD SLIDE ASSY.		1
614	1112221	CARRIAGE HOME POS. CABLE ASSY.		1
615	1059713	CABLE CLAMP		1
616	1059715	EDGE CLAMP		1
617	1053514	PRESS IDLE GEAR		1

EPSON

STYLUS PRO 9600

Page No.:3

REF	PART NO	DESCRIPTION	SPEC	QTY
618	1053511	PRESS SHAFT TRAY		1
619	1053512	PRESS TRANSMISSION GEAR		1
620	1053513	PRESS LEVER		1
650	1112227	OUTLET ROLLER ASSY.		1
651	1112280	PAPER GUIDE L2		1
652	1112225	SUB PLATEN B		8
653	1112224	SUB PLATEN A		1
654	1112251	PARTITION PLATE,PLATEN GUIDE		1
655	1112391	PARTITION PLATE L		1
656	1212556	POROUS PAD CAP B		1
657	1112222	POROUS PAD C		14
658	1112235	PARTITION PLATE R ASSY.		1
659	1175542	TAPE,22X27		1
660	1175541	POROUS PAD,P BASE		1
661	1212555	PAPER GUIDE WIRE		3
662	1091092	POROUS PAD,HOLDER,INK EJECT		1
663	1091093	TAPE,27X27		1
664	1112233	PCB ASSY.INK CART.		1
665	1112281	M.T FLAT FLEXIBLE CABLEC2		1
666	1091074	POROUS PAD ASSY.,INK EJECT		1
668	1052290	LABEL,CUT POSITION		1
669	1092136	LABEL,CUT PAPER SET,AUTO		1
670	1092147	LABEL,CUT PAPER SET,MANUAL		1
671	1092148	LABEL,ROLL PAPER CHANGE		1
672	1092138	LABEL,CUTTER CHANGE 2		1
700	1112239	FLUSHING BOX ASSY.		1
701	2072799	PUMP MOTOR JUNCTION CABLE		1
702	1112243	TR CONNECTOR		1
703	1154539	POROUS PAD,FRAME		1
704	1113691	CLEANER,HEAD,ASP		1
705	1053529	PUMP REDUCTION GEAR 1		1
706	1112241	PUMP SHAFT STOPPER		2
707	1053530	PUMP REDUCTION GEAR 2		1
708	1053531	PG IDLE GEAR A		3
709	1053532	PG IDLE GEAR B		1
710	1091109	PUMP CAP ASSY.		1
711	2072736	MOTOR,ASSY.,PUMP	21W,	1
712	1091110	CAP ASSY.		1
750	1112237	I/H INK FFC ASSY.		1
751	2060271	BOARD ASSY.,SUB	5845A,STANDARD	1
752	2072811	CSIC FFC 2		1
753	1053524	CLAMP		1
754	1112278	COVER SW CABLE ASSY.2		1
755	2020393	DETECTOR,LEAF,B2	1,0V,0A,	2
756	1091107	CONNECTING SCREW,M7		7
757	1091108	O RING,CONNECTOR,M7		7
758	1112238	I/H LEVER SW CABLE ASSY.1		1
759	1112258	INK CART. LOCK LEVER KNOB		1
760	1263881	HOLDER ASSY.,IC;B		1
761	1263882	FRAME ASSY.,NEEDLE;B		7

EPSON

STYLUS PRO 9600

Page No.:4

REF	PART NO	DESCRIPTION	SPEC	QTY
762	1091098	QUADRANT,34		1
763	1091097	LEVER,IC,OPERATE		1
800	1091132	TUBE,SUPPLY,INK,BLACK		1
801	1091133	TUBE,SUPPLY,INK,LK		1
802	1091134	TUBE,SUPPLY,INK,CYAN		1
803	1091135	TUBE,SUPPLY,INK,MAGENTA		1
804	1091136	TUBE,SUPPLY,INK,LT.CYAN		1
805	1091137	TUBE,SUPPLY,INK,LT.MAGENTA		1
806	1091138	TUBE,SUPPLY,INK,YELLOW		1
807	1112396	TUBE FILM		1
808	1112393	TUBE/CABLE SUPPORT		1
809	1112248	FILM,FFC,STOPPER		1
810	1112249	FLAT CORE (SSC-40-12)		1
811	1112247	FILM,TUBE,STOPPER		1
812	2072802	CR FFC 1 ASSY.		1
813	2060268	BOARD ASSY.,SUB	5844A,STANDARD	1
850	1104331	FLANGE,LEFT		1
851	1104332	ADAPTER		2
853	1074104	RETAINING RING	TYPE-E(3) (Prev.B150300611)	2
854	1112286	STOPPER SHAFT		1
855	1104330	FLANGE,RIGHT		1
856	1104833	LABEL,ROLL PAPER SET,2/3 INCH		1
900	1112403	PACKING BOX ASSY.(W)		1
901	1112407	STAND LEFT ASSY.		1
902	1112420	CASTOR (UNBRAKED)		2
903	1112419	CASTOR (BRAKED)		2
904	1112413	TRAY HOOK SUB ASSY.		1
905	1112414	TRAY HOOK L ASSY.		1
906	1112410	OUTLET TRAY		1
907	1112409	STAND STAY		1
908	1112406	STAND RIGHT ASSY.		1
909	1112412	SCREW ASSY.		1
N/A	1055028	ROLL BAND		1
N/A	1103969	INK CART. BOXED, BLACK, PIGMENT 110ml		1
N/A	1103970	INK CART. BOXED, CYAN, PIGMENT 110ml		1
N/A	1103971	INK CART. BOXED, MAGENTA, PIGMENT 110ml		1
N/A	1103972	INK CART. BOXED, YELLOW, PIGMENT 110ml		1
N/A	1103973	INK CART. BOXED, LT. CYAN, PIGMENT 110ml		1
N/A	1103974	INK CART. BOXED, LT. MAGENTA, PIGMENT 110ml		1
N/A	1103975	INK CART. BOXED, GREY, PIGMENT 110ml		1
N/A	1103976	INK CART. BOXED, MATT BLACK, PIGMENT 110ml		1
N/A	1103991	INK CART. BOXED, BLACK, PIGMENT 220ml		1
N/A	1103992	INK CART. BOXED, CYAN, PIGMENT 220ml		1
N/A	1103993	INK CART. BOXED, MAGENTA, PIGMENT 220ml		1
N/A	1103994	INK CART. BOXED, YELLOW, PIGMENT 220ml		1
N/A	1103995	INK CART. BOXED, LT.CYAN, PIGMENT 220ml		1
N/A	1103996	INK CART. BOXED, LT.MAGENTA, PIGMENT 220ml		1
N/A	1103997	INK CART. BOXED, GREY, PIGMENT 220ml		1
N/A	1103999	INK CART. BOXED, MATT BLACK, PIGMENT 220ml		1
N/A	1104350	DRAINING CARTRIDGE, BOXED		1

EPSON

STYLUS PRO 9600

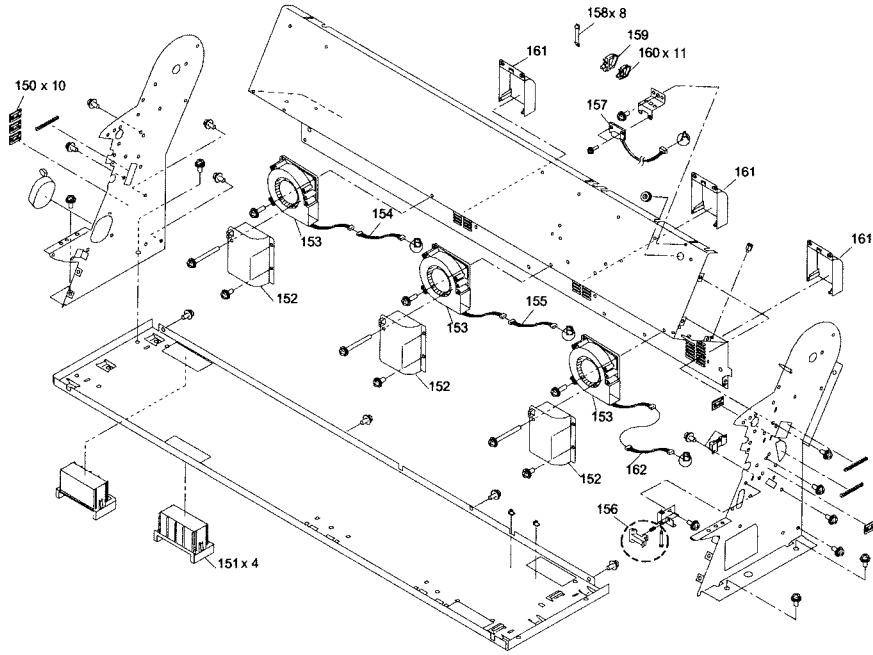
Page No.:5

REF	PART NO	DESCRIPTION	SPEC	QTY
N/A	1212925	PF-NEC POSITION ADJUST TOOL		1
N/A	1212926	CR-ENC ADJUST TOOL		1
N/A	1212928	CUTTER POSITION ADJUST TOOL		1
END				
		NO MAINTENANCE KIT FOR THIS PRODUCT		

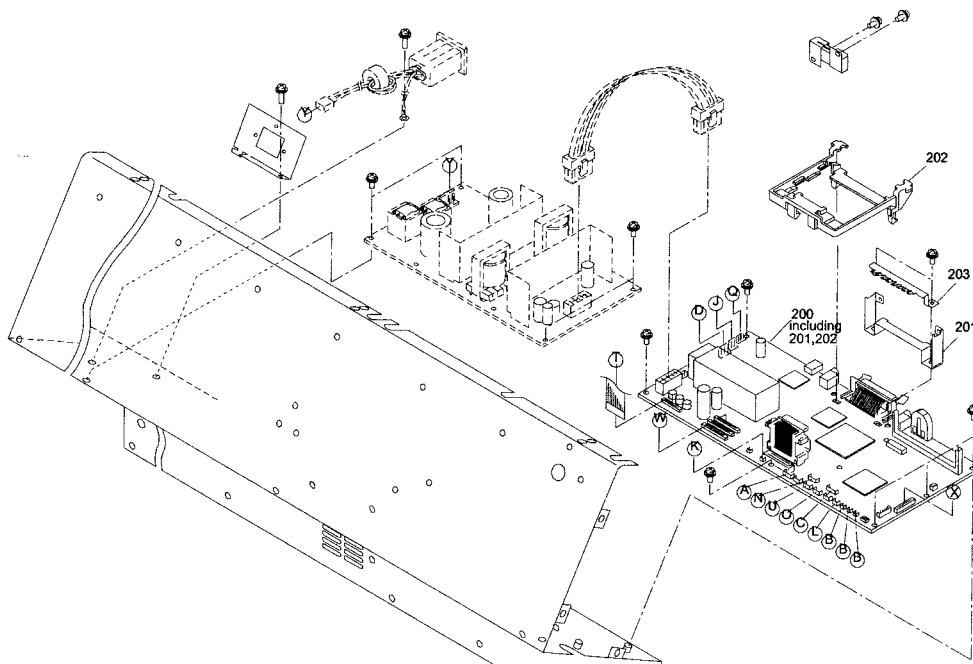
NOTE: REFER TO "TECHEXCHANGE" FOR INFORMATION ABOUT ORDERING IC'S

STYLUS PRO 9600

Page No.:6



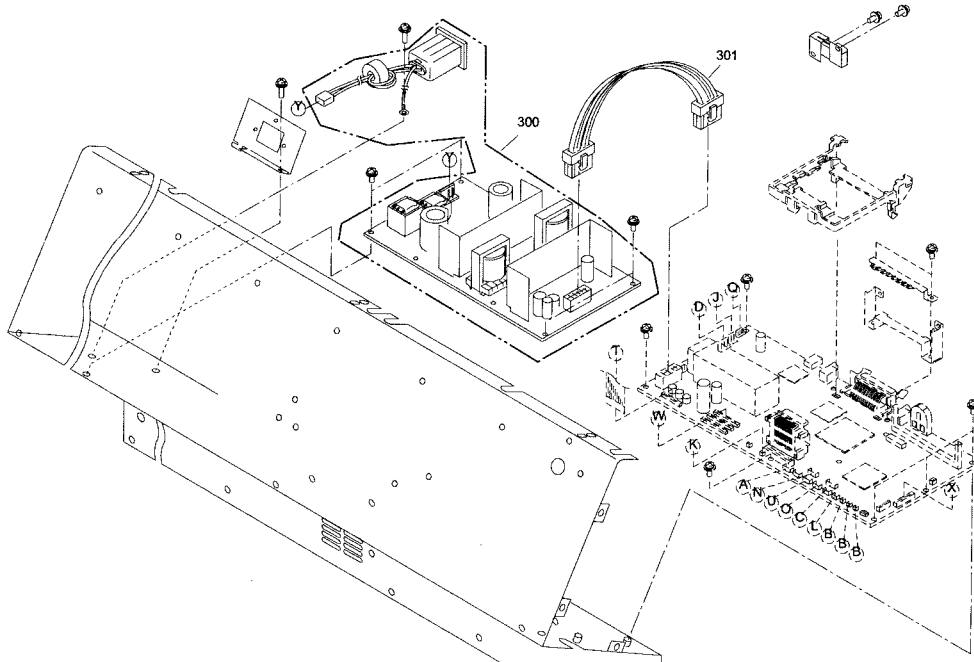
STYLUS PRO 9600 No.2



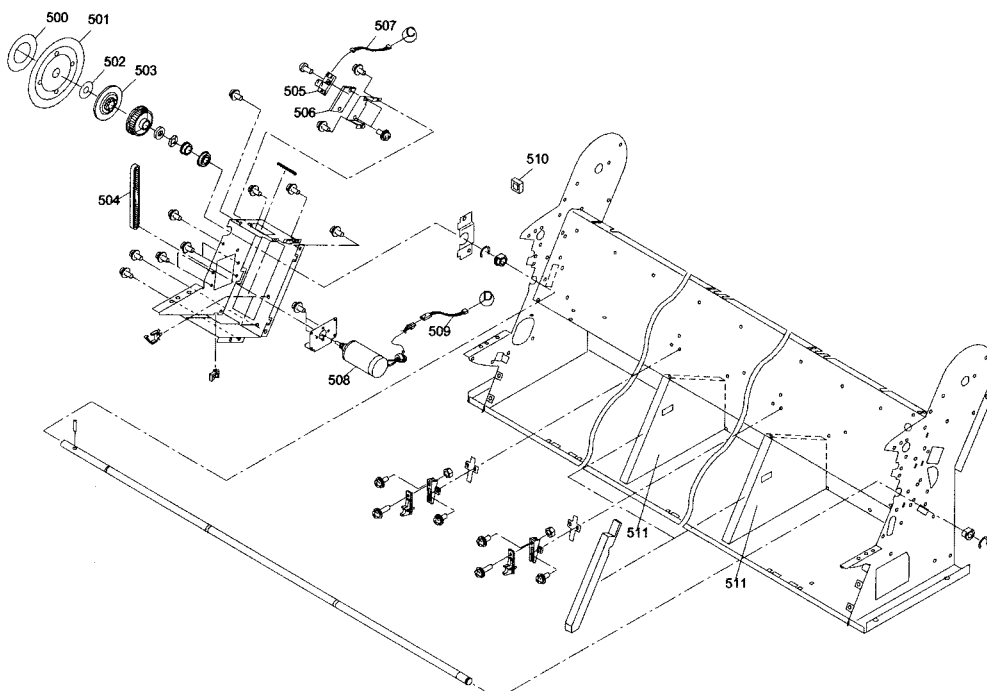
STYLUS PRO 9600 No.3

STYLUS PRO 9600

Page No.:7



STYLUS PRO 9600 No.4

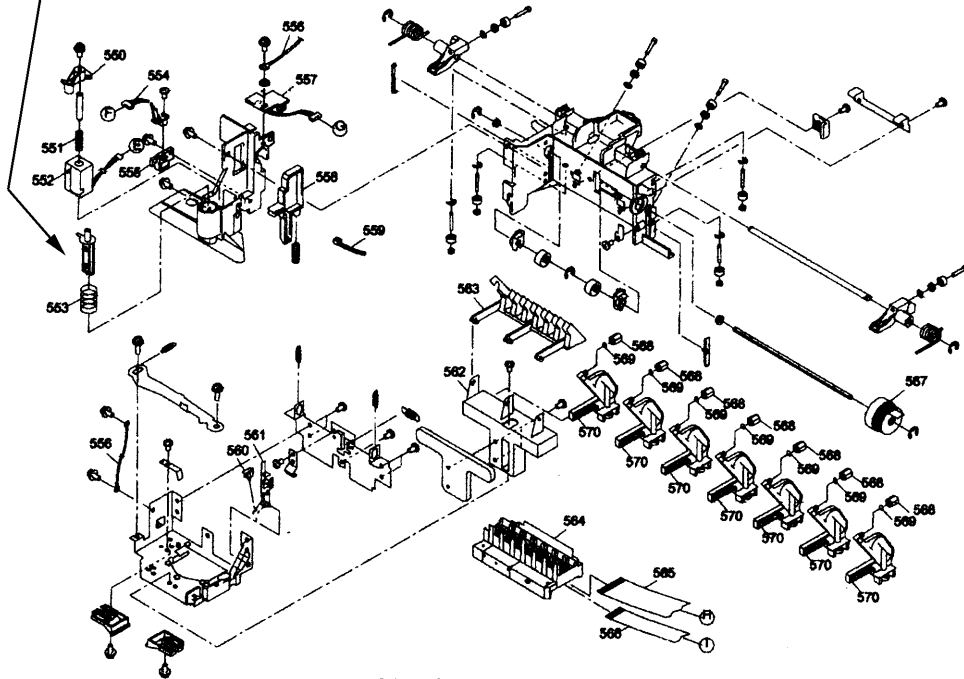


STYLUS PRO 9600 No.5

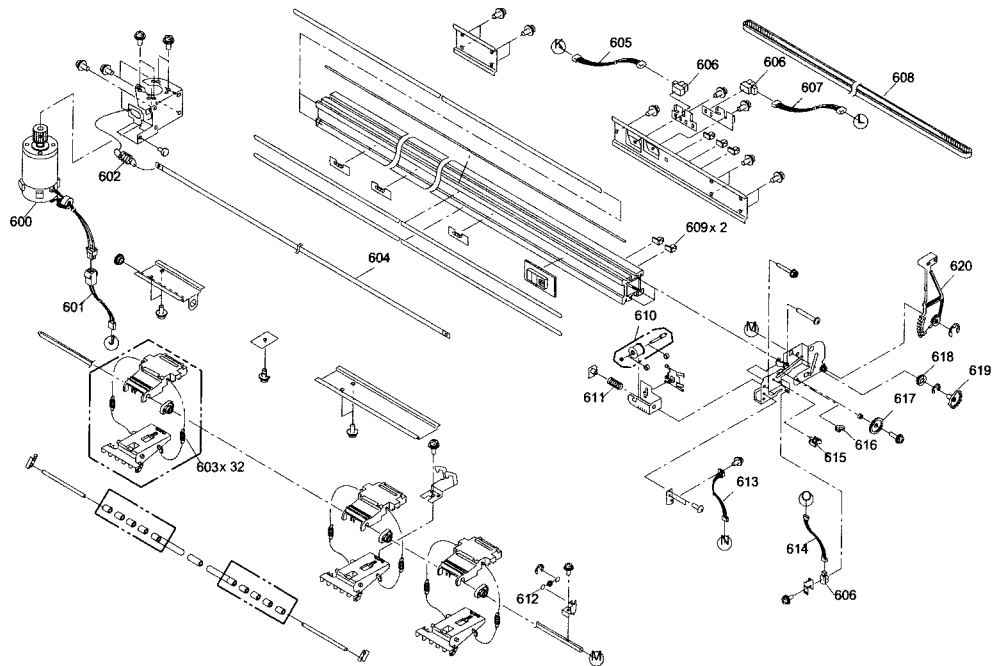
STYLUS PRO 9600

Page No.:8

CONSUMABLE ITEM (C12C815241) - NOT
A SPARE



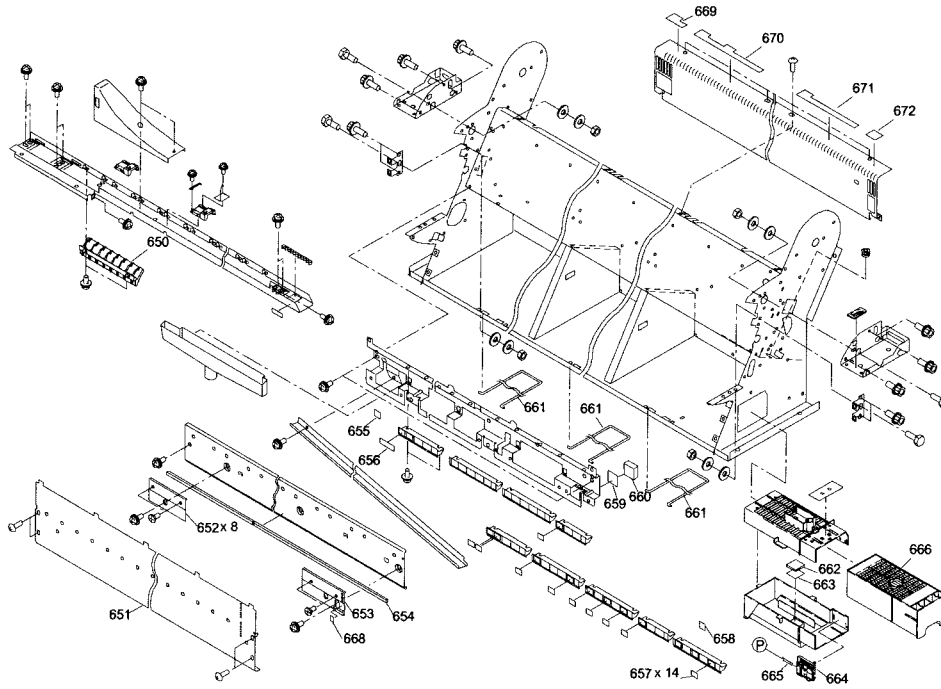
STYLUS PRO 9600 No.6



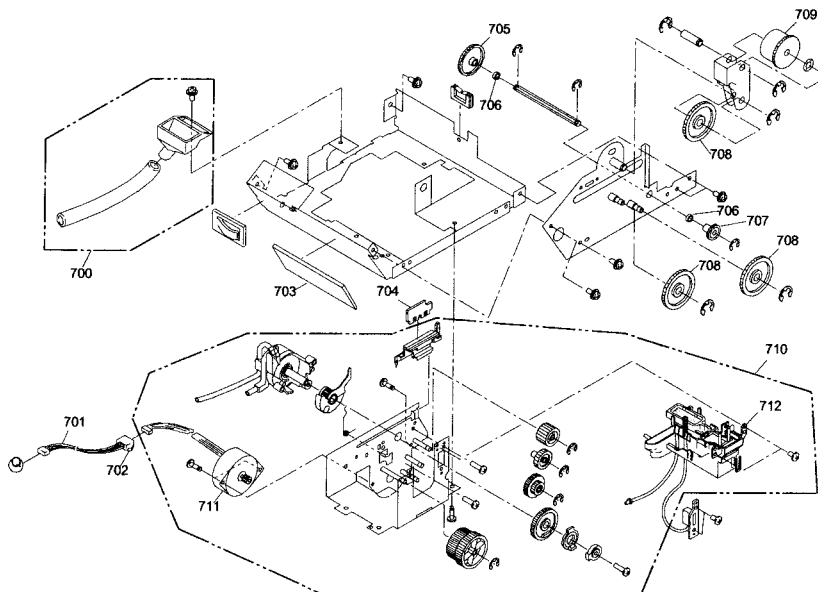
STYLUS PRO 9600 No.7

STYLUS PRO 9600

Page No.:9



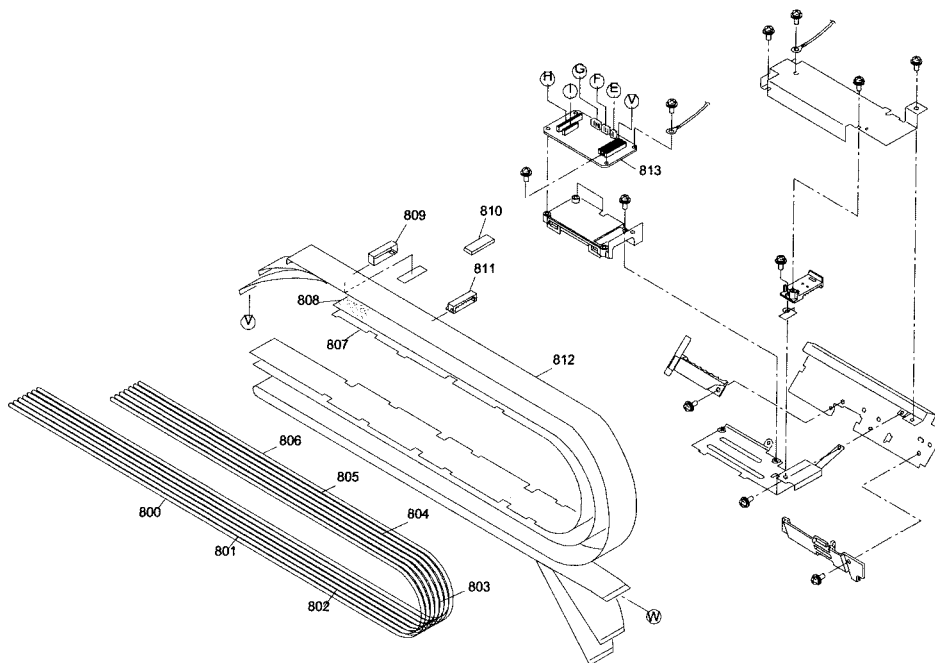
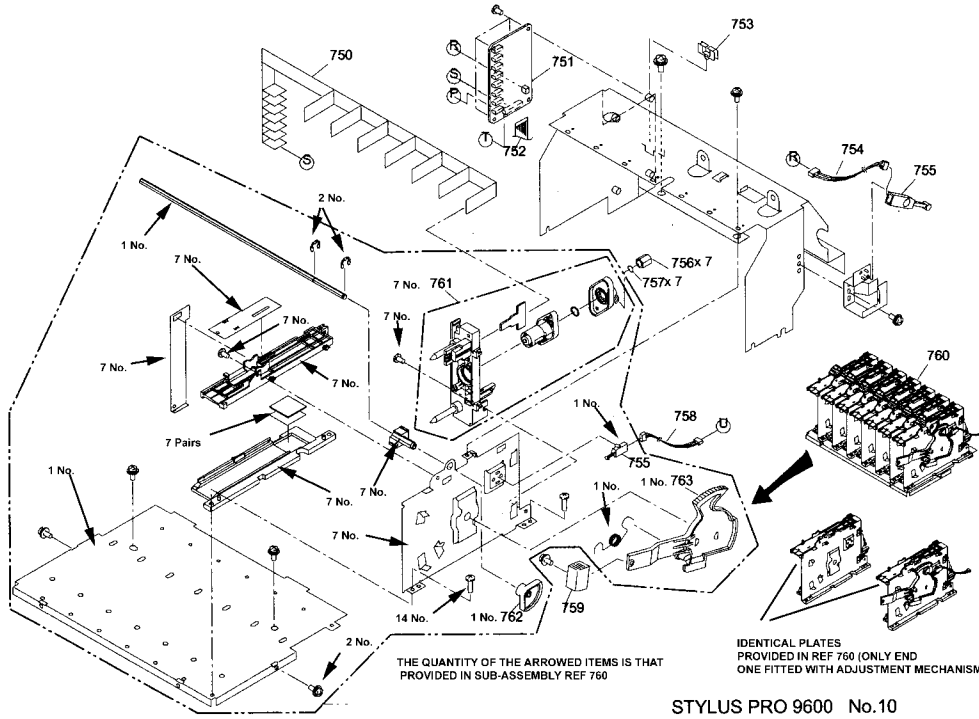
STYLUS PRO 9600 No.8



STYLUS PRO 9600 No.9

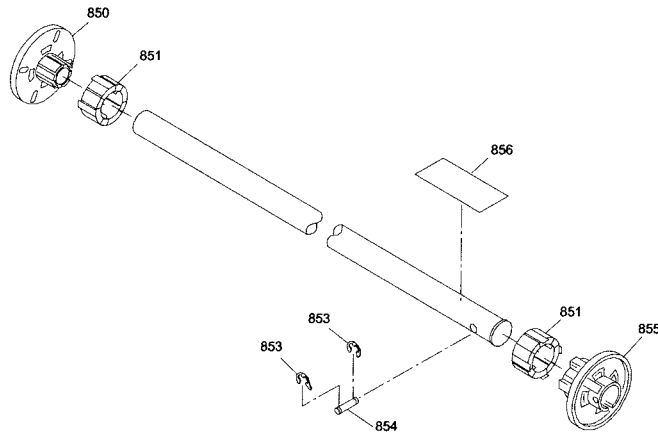
STYLUS PRO 9600

Page No.:10

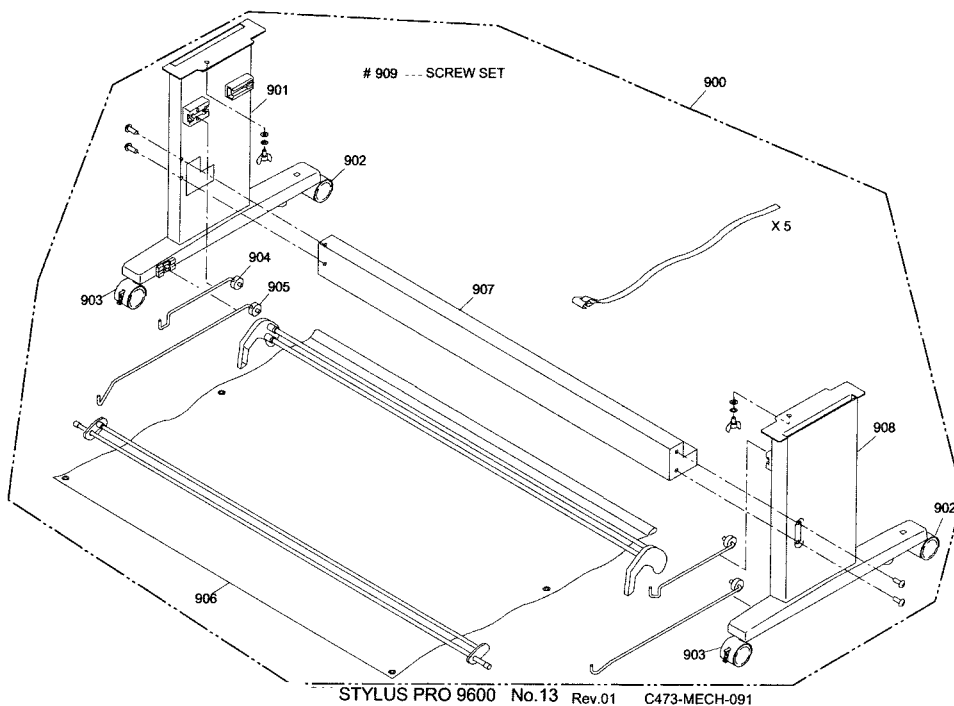


STYLUS PRO 9600

Page No.:11



STYLUS PRO 9600 No.12 Rev.01 C473-MECH-081



STYLUS PRO 9600 No.13 Rev.01 C473-MECH-091